



# techsystem

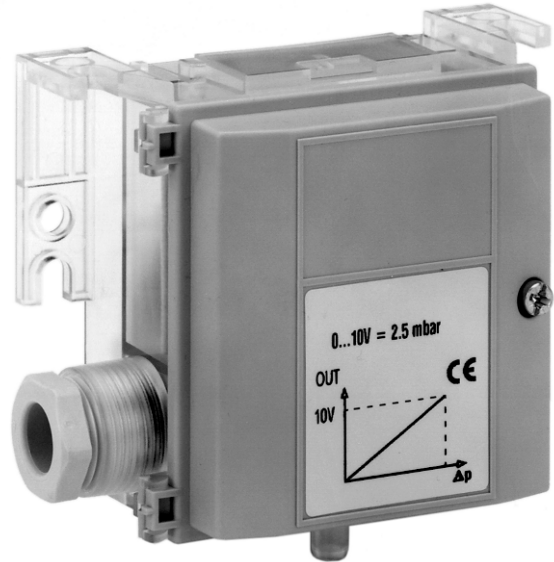
automatyka klimatyzacja wentylacja

▸ zapoznaj się z naszą ofertą

## Low Differential Air Pressure Transmitter PT-5215-7300

### Introduction

The PT-5215 Differential Air Pressure Transmitter accurately measures low differential pressure and converts the measurement into a standard proportional 0...10 V signal. The PT-5215 is especially adapted to measure static, velocity and differential pressures.



PT-5215-7300  $\Delta p$  Transmitter

### Features and Benefits

<input type="checkbox"/> <b>Low zero drift/time</b> <b>Low sensibility to ambient temperature change</b> <b>Low hysteresis</b> <b>High accuracy</b>	Can be used in a lot of applications, which require accurate and stable measurement
<input type="checkbox"/> <b>Good overrangeability</b>	Resists high pressure fluctuation in the system
<input type="checkbox"/> <b>Splash proof dust tight case</b>	Electronic base can be mounted in many environments
<input type="checkbox"/> <b>Compact enclosure, light weight, simple and quick installation</b>	Saves installation time

### Operation

The PT-5215 is used with the low input acting as a reference less than, greater than or at atmospheric pressure. The high input (P1) is always connected to the higher absolute pressure of the two inputs of the system. As the differential increases, an internal mechanism will proportionally increase the output signal of the PT-5215. The measuring element is a silicone membrane, that moves about 1 mm depending on the measurement. A ceramic deflection movement sensor provides a friction free measurement.

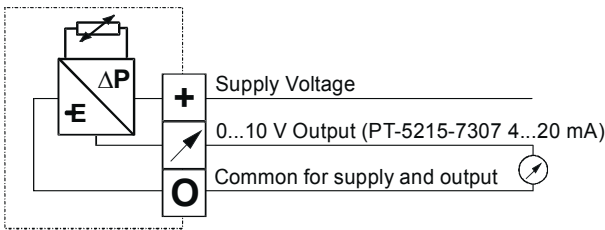
## Ordering data

PT-5215-73



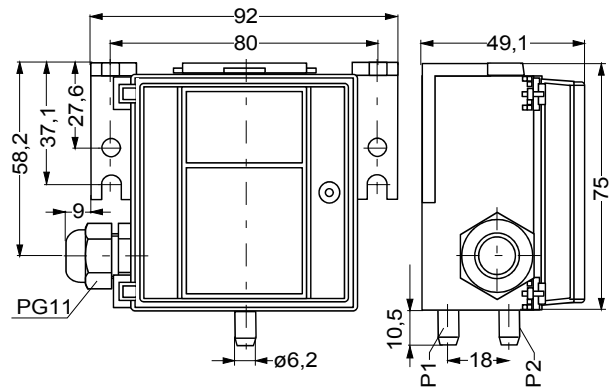
	Operating range	Output Signal
06	-50...+50 Pa	0-10 V
07	-50...+50 Pa	4-20 mA
08	0...100 Pa	0-10 V
09	0...250 Pa	0-10 V
10	0...2500 Pa	0-10 V
11	0...1000 Pa	0-10 V

## Wiring diagram



## Dimensions (mm)

The Pt-5215 is suitable for wall mounting (see dimensions below).



## Specifications

<b>Operating ranges</b>	see "Ordering Data"						
<b>Supply voltage</b>	24 VAC $\pm 15\%$ , 50/60 Hz or 13.5...33 V DC, max. 10 mA (PT-5215-7307=11...33 V DC)						
<b>Output</b>	0...+10 V, max. 1 mA ( $> 10 \text{ k}\Omega$ ) (PT-5215-7307= 4...20 mA)						
<b>Housing</b>	Plastic UL94						
<b>Air connection</b>	Plastic fittings 6.2 $\varnothing$ for 4x6 mm OD plastic tubing						
<b>Cable entry/Terminals</b>	(1) Threaded compression fitting PG11 with strain relief, Threaded terminals for 1.5 mm <sup>2</sup> wire						
<b>Protection class</b>	IP54, (IEC 44)						
<b>Action</b>	Proportional direct acting, P1 high input, P2 low input						
<b>Storage condition</b>	-10 to +70 °C, 10...90 % R.H., non condensing						
<b>Ambient Operating condition</b>	0 to +70 °C, 10...90 % R.H., non condensing						
	<b>PT-5215-</b>	<b>7306</b>	<b>7307</b>	<b>7308</b>	<b>7309</b>	<b>7310</b>	<b>7311</b>
<b>Max. overload Pressure [kPa]</b>		5	5	10	5	20	10
<b>Measuring time constant</b>	10 ms.						
<b>Linearity and Hysteresis</b>	$< \pm 1\%$ Full scale in total						
<b>Mounting position</b>	Upright, connection from below recommended						
<b>Medium</b>	Air and inert gases						
<b>Temperature drift</b>	0.04% per K of operating range typical (+10...50 °C)						
<b>Weight</b>	0.1 kg						
<b>CE Conformity</b>	EMC (89 / 336 EEC), EN 50081-1, EN 50082-1						

The performance specifications are nominal and conform to acceptable industry standards. For application at conditions beyond these specifications, consult the local Johnson Controls office. Johnson Controls, Inc. shall not be liable for damages resulting from misapplication or misuse of its products.

**JOHNSON  
CONTROLS**

Johnson Controls International, Inc.

Headquarters:

European Customer Service Center:

European Factories:

Branch Offices

Milwaukee, Wisconsin, USA

Westendhof 3, D-45143 Essen, Germany

Essen (Germany), Leeuwarden (The Netherlands) and Lomagna (Italy)

Principal European Cities.

: Printed in Germany