



# techsystem

automatyka klimatyzacja wentylacja

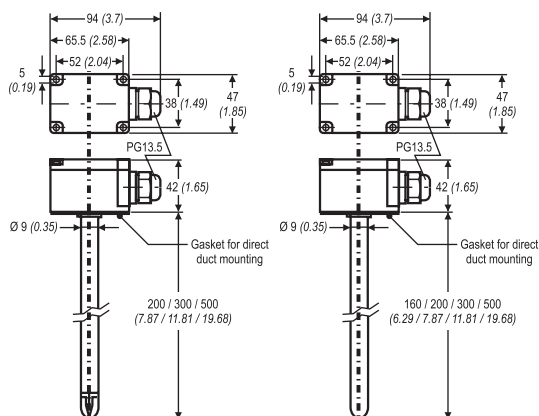
▸ zapoznaj się z naszą ofertą

### Plant Sensors

#### TS-9100 / TE-9100 Temperature Sensors (1/2)



**TS-9100 / TE-9100  
Temperature Sensors**



**Rod fast  
response sensor**

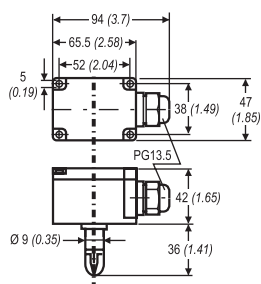
**Rod sensor**

### Description

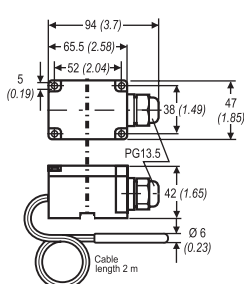
The TS-9100/TE-9100 series of electronic temperature sensors and transducers provides a passive or active signal that corresponds with the air or water temperature in heating, ventilating and air conditioning applications. They provide either a 0...10V signal directly proportional to the sensed temperature, or a passive resistive signal NTC or Pt 100.

### Features

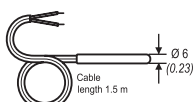
- Wide range of enclosures and signal outputs
- For immersion applications, well can be mounted before rod sensor is mounted
- Various lengths of tubes and wells for duct and immersion applications
- IP 54 enclosure



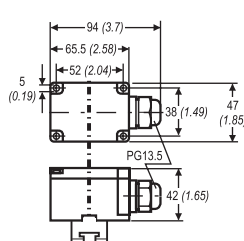
**Ceiling sensor  
TS-910x-870x**



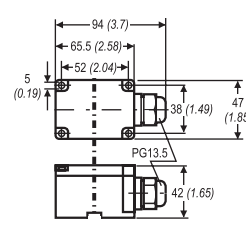
**Remote sensor  
TS-9101-810x**



**Cable sensor  
TE-910x-850x**



**Strap-on sensor  
TS-910x-860x**



**Outdoor Sensor  
TS-910x-840x**

Dimensions in mm (inches)

### Selection Table (part 1/2)

| Output Signal     | Sensor type    | Rod Length in mm | Temperature range | Ordering Codes               |                              |
|-------------------|----------------|------------------|-------------------|------------------------------|------------------------------|
| 0...10 V          | Remote element | ---              | -40...50 °C       | <a href="#">TS-9101-8101</a> |                              |
|                   |                | ---              | 0...40 °C         | <a href="#">TS-9101-8103</a> |                              |
|                   |                | ---              | 0...100 °C        | <a href="#">TS-9101-8104</a> |                              |
|                   | Rod *          | 160              | 160               | -20...40 °C                  | <a href="#">TS-9101-8212</a> |
|                   |                |                  |                   | 0...40 °C                    | <a href="#">TS-9101-8213</a> |
|                   |                |                  |                   | 0...100 °C                   | <a href="#">TS-9101-8214</a> |
|                   |                |                  |                   | -20...40 °C                  | <a href="#">TS-9101-8222</a> |
|                   |                |                  |                   | 0...40 °C                    | <a href="#">TS-9101-8223</a> |
|                   |                |                  |                   | 0...100 °C                   | <a href="#">TS-9101-8224</a> |
|                   |                | 200              | 200               | 0...150 °C                   | <a href="#">TS-9101-8225</a> |
|                   |                |                  |                   | 20...120 °C                  | <a href="#">TS-9101-8226</a> |
|                   |                |                  |                   | 50...150 °C                  | <a href="#">TS-9101-8227</a> |
|                   |                |                  |                   | -20...40 °C                  | <a href="#">TS-9101-8232</a> |
|                   |                |                  |                   | 0...40 °C                    | <a href="#">TS-9101-8233</a> |
|                   |                |                  |                   | 0...100 °C                   | <a href="#">TS-9101-8234</a> |
|                   | 300            | 300              | 0...150 °C        | <a href="#">TS-9101-8235</a> |                              |
|                   |                |                  | -20...40 °C       | <a href="#">TS-9101-8252</a> |                              |
|                   |                |                  | 0...100 °C        | <a href="#">TS-9101-8254</a> |                              |
|                   |                |                  | -20...40 °C       | <a href="#">TS-9101-8322</a> |                              |
|                   |                |                  | 0...40 °C         | <a href="#">TS-9101-8323</a> |                              |
| Rod fast response | 200            | 200              | 0...100 °C        | <a href="#">TS-9101-8324</a> |                              |
|                   |                |                  | 0...40 °C         | <a href="#">TS-9101-8323</a> |                              |
|                   |                |                  | 0...40 °C         | <a href="#">TS-9101-8333</a> |                              |

### Plant Sensors

#### TS-9100 / TE-9100 Temperature Sensors (2/2)

Selection Table (part 2/2)

| Features      |                   |                 |                              |                              |
|---------------|-------------------|-----------------|------------------------------|------------------------------|
| Output Signal | Sensor Type       | Rod Length (mm) | Temperature Range            | Ordering Codes               |
| 0...10 V      | Rod fast response | 500             | 0...40 °C                    | <a href="#">TS-9101-8353</a> |
| 0...10 V      | Outdoor           | ---             | -40...50 °C                  | <a href="#">TS-9101-8401</a> |
| 0...10 V      | Outdoor           | ---             | -20...40 °C                  | <a href="#">TS-9101-8402</a> |
| 0...10 V      | Strap-on          | ---             | 0...100 °C                   | <a href="#">TS-9101-8604</a> |
| 0...10 V      | Ceiling           | ---             | 0...40 °C                    | <a href="#">TS-9101-8703</a> |
| NTC „K2“      | Cable 1.5 m       | ---             | 0...120 °C                   | <a href="#">TE-9100-8501</a> |
| NTC „K10“     | Cable 1.5 m       | ---             | 0...120 °C                   | <a href="#">TE-9100-8502</a> |
| NTC „K2“      | Rod *             | 200             | 0...40 °C                    | <a href="#">TS-9103-8220</a> |
| NTC „K2“      | Rod *             | 500             |                              | <a href="#">TS-9103-8250</a> |
| NTC „K2“      | Rod fast response | 200             |                              | <a href="#">TS-9103-8320</a> |
| NTC „K2“      | Outdoor           | ---             |                              | <a href="#">TS-9103-8400</a> |
| NTC „K2“      | Strap-on          | ---             |                              | <a href="#">TS-9103-8600</a> |
| NTC „K2“      | Ceiling           | ---             |                              | <a href="#">TS-9103-8700</a> |
| NTC „K10“     | Rod *             | 200             |                              | 0...120 °C                   |
| NTC „K10“     | Rod *             | 300             | <a href="#">TS-9104-8230</a> |                              |
| NTC „K10“     | Strap-on          | ---             | <a href="#">TS-9104-8600</a> |                              |
| Pt 100        | Rod *             | 200             | -20...150 °C                 | <a href="#">TS-9105-8220</a> |
| Pt 100        | Rod *             | 300             |                              | <a href="#">TS-9105-8230</a> |
| Pt 100        | Rod *             | 500             |                              | <a href="#">TS-9105-8250</a> |
| Pt 100        | Outdoor           | ---             |                              | <a href="#">TS-9105-8400</a> |
| Pt 100        | Strap-on          | ---             |                              | <a href="#">TS-9105-8600</a> |
| Pt 100        | Ceiling           | ---             |                              | <a href="#">TS-9105-8700</a> |

**Notes:** \* Rod sensors can either be for: Duct applications (alone) & Immersion applications (with well); See dimension drawings on the page before.

#### Accessories (order separately)

| Description                     | Material        | Length (mm) | Max. pressure (Acc. DIN 43763) | External Diam. (mm) | Ordering Codes               |
|---------------------------------|-----------------|-------------|--------------------------------|---------------------|------------------------------|
| Immersion well for TE-9100-850x | Copper          | 50          | 1600 kPa                       | 9                   | <a href="#">TS-9100-8905</a> |
|                                 | Stainless steel |             | 4000 kPa                       |                     | <a href="#">TS-9100-8915</a> |
| Immersion well for TS-910x-82xx | Copper          | 120         | 1600 kPa                       | 12                  | <a href="#">TS-9100-8901</a> |
|                                 | Stainless steel |             | 4000 kPa                       |                     | <a href="#">TS-9100-8911</a> |
|                                 | Copper          | 150         | 1600 kPa                       |                     | <a href="#">TS-9100-8907</a> |
|                                 | Stainless steel |             | 4000 kPa                       |                     | <a href="#">TS-9100-8917</a> |
|                                 | Copper          | 200         | 1600 kPa                       |                     | <a href="#">TS-9100-8902</a> |
|                                 | Stainless steel |             | 4000 kPa                       |                     | <a href="#">TS-9100-8912</a> |
|                                 | Copper          | 260         | 1600 kPa                       |                     | <a href="#">TS-9100-8903</a> |
|                                 | Stainless steel |             | 4000 kPa                       |                     | <a href="#">TS-9100-8913</a> |
| Duct mounting flange            | ---             | ---         | ---                            | ---                 | <a href="#">TS-9100-8950</a> |