



techsystem

automatyka klimatyzacja wentylacja

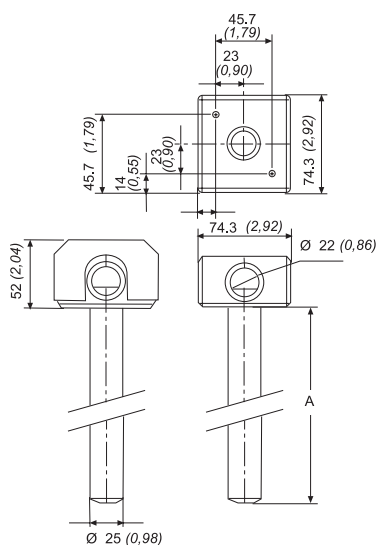
▸ zapoznaj się z naszą ofertą

Plant Sensors

HT-9000 Electronic Humidity Transmitter



HT-9000 Series



Dimensions in mm (inches)

Description

The HT-9000 Series measures humidity over the entire range of 0 to 100% RH (non condensing) and has a wide operating temperature range. Its fast response, reliable long-term performance makes this transmitter well suited for refrigeration and HVAC installations. This range also includes models with an integrated temperature sensing elements.

Features

- Power Supply 12...30 VDC / 24 VAC
- Humidity Range 0...10% (non condensing)
- Humidity Output 0...10 VDC
- Humidity Accuracy 4% RH from 10 to 90% RH
- Temperature Outputs 0...10 VDC, NTC K2, Pt 100, Pt 1000, A99
- Duct probes lengths 153 mm and 230 mm

A = 153 mm (5.31 in.) for HT-90xx-UD1

A = 230 mm (9.06 in.) for HT-90xx-UD2

Selection Table

Humidity Range	Humidity Output	Temperature Range	Temperature Output	Supply Voltage	Probe length (mm)	Ordering Codes		
0 to 100% RH	0 to 10 VDC	---	---	12 to 30 VDC 24 VAC +15%	153	HT-9000-UD1		
		0...40 °C	0...10 VDC			HT-9001-UD1		
		0...40 °C	NTC K2			HT-9003-UD1		
		0...60 °C	Pt100			HT-9005-UD1		
		0...60 °C	Pt1000			HT-9006-UD1		
		0...60 °C	A99			HT-9009-UD1		
		---	---			HT-9000-UD2		
		0...40 °C	0...10 VDC		HT-9001-UD2			
		0...40 °C	NTC K2		HT-9003-UD2			
		0...60 °C	Pt100		HT-9005-UD2			
		0...60 °C	Pt1000		HT-9006-UD2			
		0...60 °C	A99		HT-9009-UD2			
							230	