



# techsystem

automatyka klimatyzacja wentylacja

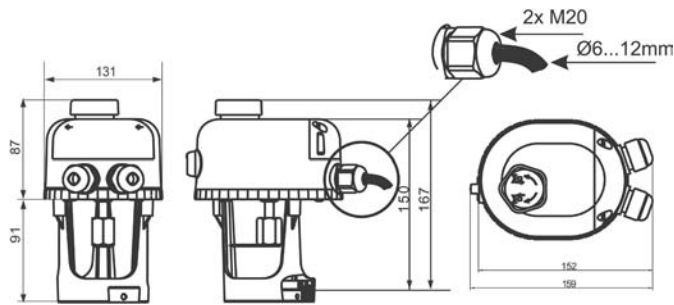
▸ zapoznaj się z naszą ofertą

### Valve Actuators

#### VA-7700 Control Valve Actuators



**VA-7700**  
Control Valve Actuators



Dimensions in mm (inches)

#### Description

The VA-7700 series provides floating and proportional control and can be mounted onto VG7000, VGS800 and VG9000 valves.

#### Features

- 24 VAC and 230 VAC power supply
- Floating and proportional control
- Manual override
- LED operating status display
- Self calibrating
- IP54 enclosive protection

Selection Table: for mounting onto VG7000 series valves

Supply Voltage (50/60Hz)	Action Control	Force	Stroke	Full Stroke Time	Protection Class	Power Consumption	Ordering Codes
24 VAC	Floating	500 N	20 mm	190 s	IP 54	2.4 VA	<a href="#">VA-7700-1001</a>
230 VAC							<a href="#">VA-7700-1003</a>
24 VAC							<a href="#">VA-7740-1001</a>
230 VAC							<a href="#">VA-7740-1003</a>
24 VAC	Proportional					4.4 VA	<a href="#">VA-7706-1001</a> <a href="#">VA-7746-1001</a>

Selection Table: for mounting onto VGS8000 and VG9000 valves

Supply Voltage (50/60Hz)	Action Control	Force	Stroke	Full Stroke Time	Protection Class	Power Consumption	Ordering Codes
24 VAC	Floating	500 N	20 mm	190 s	IP 54	2.4 VA	<a href="#">VA-7700-8201</a>
230 VAC							<a href="#">VA-7700-8203</a>
24 VAC							<a href="#">VA-7740-8201</a>
230 VAC							<a href="#">VA-7740-8203</a>
24 VAC	Proportional					4.4 VA	<a href="#">VA-7706-8201</a> <a href="#">VA-7746-8201</a>