



techsystem

automatyka klimatyzacja wentylacja

▸ zapoznaj się z naszą ofertą

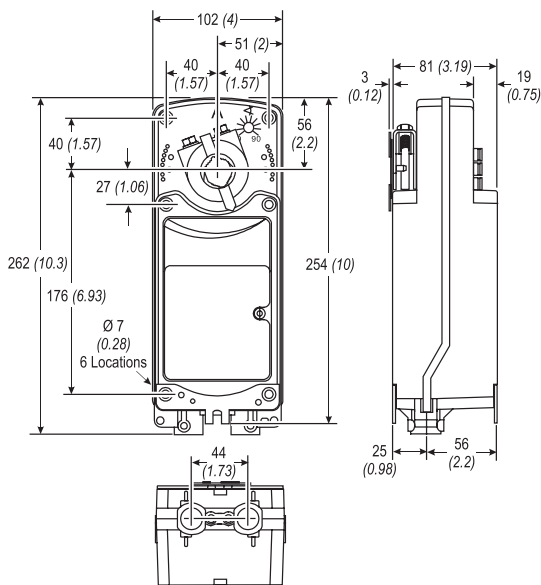
Rotary Actuators / Security Family

S9210 / S9220 ON/OFF Electric Actuators (1/3)

(Joventa SAFx.10 / SAFx.20)



**S9210--S9220-Bxx-3
ON/OFF Electric Actuators**



Dimensions in mm (inches)

Description

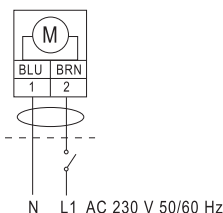
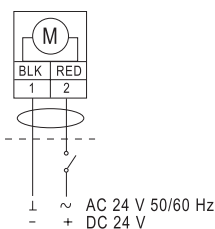
The S9210 and S9220 SECURITY FIRE electric, spring return damper-actuator series has been specially developed for the motorized operation of safety dampers e.g. fire protection dampers.

When the control signal is applied the actuator drives the damper to the operational position, while evenly tensioning the integrated spring.

After a power failure the stored energy in the spring immediately brings the damper to the safety position.

Features

- 10/11/12/14 mm steel adapter for square shaft
- Ambient temperature sensor and direct connection of duct temperature sensor
- Low noise level
- Energy saving at end position
- Integrated cables
 - 1.2 m (48 inch) 18 AWG halogen-free cables with color
 - Coded and numbered conductors
- IP54 (NEMA2)
- Rated Aluminium Enclosure
- Easy-to-Use Locking manual override with auto release and crank storage
- Energy saving at end position
- Two Integral gold Auxiliary switches (xxC Models)



Wiring Diagram

Accessories and Replacement Parts (Order Separately)

Description	Code Number
178 mm (7 in.) Blade Pin Extension (without Bracket) for Johnson Controls® Direct Mount Damper Applications	DMPR-KC003*
Tandem Mounting Kit used to Mount Two Models of M9220-xxx-3 Series Proportional Electric Spring Return Actuators	M9000-158
Crank arm	M9000-153
Remote Mounting Kit, Horizontal. Kit includes Mounting Bracket, M9000-153 Crank Arm, Ball Joint and Mounting Bolts	M9000-170
Remote Mounting Kit, Vertical. Kit includes Mounting Bracket, M9000-153 Crank Arm, Ball Joint and Mounting Bolts	M9000-171
Commissioning Tool that Provides a Control Signal to Drive 24 V Floating, Floating, Proportional and/or Resistive Electric Actuators	M9000-200
Replacement Anti-rotation Bracket Kit (with Screws) for M9220-xxx-3 Series Proportional Electric Spring Return Actuators	M9000-604
25 mm (1 in.) Jackshaft Coupler Kit (with Locking Clip) for Mounting M9220-xxx-3 Series Proportional Electric Spring Return Actuators on Dampers with 19 to 27 mm (3/4 to 1-1/16 in.) Round Shafts, or 16, 18 and 19 mm (5/8 and 3/4 in.) Square Shafts	M9220-600
Replacement Coupler Kit (with Locking Clip) for Mounting M9220-xxx-3 Series Proportional Electric Spring Return Actuators on Damper with 12 to 19 mm (1/2 to 3/4 in.) Round Shafts, or 10, 12 and 14 mm (3/8 and 1/2 in.) Square Shafts	M9220-601
Replacement Locking Clips for M9220-xxx-3 Series Proportional Electric Spring Return Actuators (FiveperBag)	M9220-602
Adjustable Stop Kit for M9220-xxx-3 Series Proportional Electric Spring Return Actuators	M9220-603
Replacement Manual Override Cranks for M9220-xxx-3 Series Proportional Electric Spring Return Actuators (Five per Bag)	M9220-604
Replacement Shaft Gripper, 10 mm Square Shaft with Locking Clip	M9220-610
Replacement Shaft Gripper, 12 mm Square Shaft with Locking Clip	M9220-612
Replacement Shaft Gripper, 14 mm Square Shaft with Locking Clip	M9220-614

Notes: *Furnished with the damper and may be ordered separately.

Rotary Actuators / Security Family

S9210 / S9220 ON/OFF Electric Actuators (2/3)

(Joventa SAFx.10 / SAFx.20)

**S9210 Security Fire Actuators - 10 Nm - ON/OFF - Selection Table
WITH GOLD CONTACT AUXILIARY SWITCHES**

Power Supply	Squareshaft Adapter	Execution	Ordering Codes	
			Joventa*	Johnson Controls
AC 230 V	10 mm	---	SAF2.10S/10	S9210-BDC-31
		Ambient Sensor	SAF2.10SA/10	S9210-BDC-31A
		Duct Sensor	SAF2.10SB/10	S9210-BDC-31B
		Ambient and Duct Sensor	SAF2.10SC/10	S9210-BDC-31C
	11 mm	---	SAF2.10S/11	S9210-BDC-32
		Ambient Sensor	SAF2.10SA/11	S9210-BDC-32A
		Duct Sensor	SAF2.10SB/11	S9210-BDC-32B
		Ambient and Duct Sensor	SAF2.10SC/11	S9210-BDC-32C
	12 mm	---	SAF2.10S/12	S9210-BDC-33
		Ambient Sensor	SAF2.10SA/12	S9210-BDC-33A
		Duct Sensor	SAF2.10SB/12	S9210-BDC-33B
		Ambient and Duct Sensor	SAF2.10SC/12	S9210-BDC-33C
	14 mm	---	SAF2.10S/14	S9210-BDC-34
		Ambient Sensor	SAF2.10SA/14	S9210-BDC-34A
		Duct Sensor	SAF2.10SB/14	S9210-BDC-34B
		Ambient and Duct Sensor	SAF2.10SC/14	S9210-BDC-34C
AC/DC 24 V	10 mm	---	SAF1.10S/10	S9210-BGC-31
		Ambient Sensor	SAF1.10SA/10	S9210-BGC-31A
		Duct Sensor	SAF1.10SB/10	S9210-BGC-31B
		Ambient and Duct Sensor	SAF1.10SC/10	S9210-BGC-31C
	11 mm	---	SAF1.10S/11	S9210-BGC-32
		Ambient Sensor	SAF1.10SA/11	S9210-BGC-32A
		Duct Sensor	SAF1.10SB/11	S9210-BGC-32B
		Ambient and Duct Sensor	SAF1.10SC/11	S9210-BGC-32C
	12 mm	---	SAF1.10S/12	S9210-BGC-33
		Ambient Sensor	SAF1.10SA/12	S9210-BGC-33A
		Duct Sensor	SAF1.10SB/12	S9210-BGC-33B
		Ambient and Duct Sensor	SAF1.10SC/12	S9210-BGC-33C
	14 mm	---	SAF1.10S/14	S9210-BGC-34
		Ambient Sensor	SAF1.10SA/14	S9210-BGC-34A
		Duct Sensor	SAF1.10SB/14	S9210-BGC-34B
		Ambient and Duct Sensor	SAF1.10SC/14	S9210-BGC-34C

Rotary Actuators / Security Family

S9210 / S9220 ON/OFF Electric Actuators (3/3)

(Joventa SAFx.10 / SAFx.20)

S9220 Security Fire Actuators - 20 Nm - ON/OFF - Selection Table
WITH GOLD CONTACT AUXILIARY SWITCHES

Power Supply	Squareshaft Adapter	Execution	Ordering Codes	
			Joventa*	Johnson Controls
AC 230 V	10 mm	---	SAF2.20S/10	S9220-BDC-31
		Ambient Sensor	SAF2.20SA/10	S9220-BDC-31A
		Duct Sensor	SAF2.20SB/10	S9220-BDC-31B
	11 mm	Ambient and Duct Sensor	SAF2.20SC/10	S9220-BDC-31C
		---	SAF2.20S/11	S9220-BDC-32
		Ambient Sensor	SAF2.20SA/11	S9220-BDC-32A
	12 mm	Duct Sensor	SAF2.20SB/11	S9220-BDC-32B
		Ambient and Duct Sensor	SAF2.20SC/11	S9220-BDC-32C
		---	SAF2.20S/12	S9220-BDC-33
	14 mm	Ambient Sensor	SAF2.20SA/12	S9220-BDC-33A
		Duct Sensor	SAF2.20SB/12	S9220-BDC-33B
		Ambient and Duct Sensor	SAF2.20SC/12	S9220-BDC-33C
AC/DC 24 V	10 mm	---	SAF2.20S/14	S9220-BDC-34
		Ambient Sensor	SAF2.20SA/14	S9220-BDC-34A
		Duct Sensor	SAF2.20SB/14	S9220-BDC-34B
	11 mm	Ambient and Duct Sensor	SAF2.20SC/14	S9220-BDC-34C
		---	SAF1.20S/10	S9220-BGC-31
		Ambient Sensor	SAF1.20SA/10	S9220-BGC-31A
	12 mm	Duct Sensor	SAF1.20SB/10	S9220-BGC-31B
		Ambient and Duct Sensor	SAF1.20SC/10	S9220-BGC-31C
		---	SAF1.20S/11	S9220-BGC-32
	14 mm	Ambient Sensor	SAF1.20SA/11	S9220-BGC-32A
		Duct Sensor	SAF1.20SB/11	S9220-BGC-32B
		Ambient and Duct Sensor	SAF1.20SC/11	S9220-BGC-32C
10 mm	---	SAF1.20S/12	S9220-BGC-33	
	Ambient Sensor	SAF1.20SA/12	S9220-BGC-33A	
	Duct Sensor	SAF1.20SB/12	S9220-BGC-33B	
11 mm	Ambient and Duct Sensor	SAF1.20SC/12	S9220-BGC-33C	
	---	SAF1.20S/14	S9220-BGC-34	
	Ambient Sensor	SAF1.20SA/14	S9220-BGC-34A	
12 mm	Duct Sensor	SAF1.20SB/14	S9220-BGC-34B	
	Ambient and Duct Sensor	SAF1.20SC/14	S9220-BGC-34C	