



# techsystem

automatyka klimatyzacja wentylacja

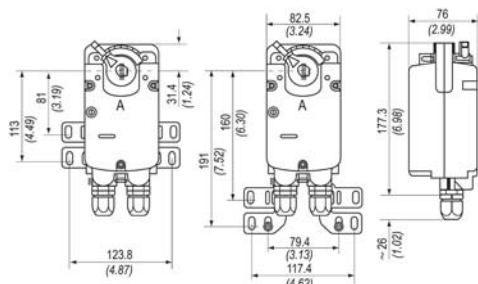
▸ zapoznaj się z naszą ofertą

### Rotary Actuators / Springback Family

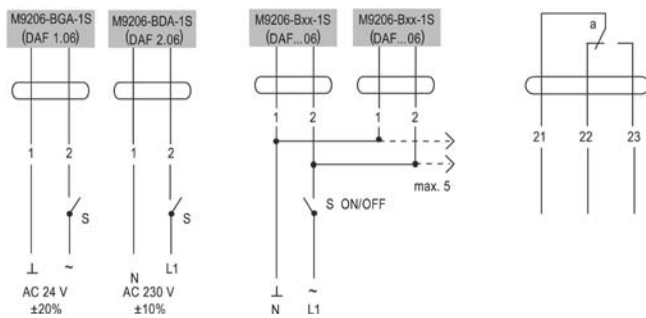
M9206-Bxx-1S ON/OFF Actuators  
(Joventa DAFx.06)



M9206-Bxx-1S  
ON/OFF Actuators



Dimensions in mm (inches)



Wiring Diagram

Parallel Connection

Auxiliary Switch

#### Description

The SPRINGBACK electric, spring return damper actuator series has been specially developed for the motorized operation of safetyair dampers (anti-icing) in air conditioning systems, smoke evacuation dampers and sealing dampers. When the control signal is applied the actuator drives the damper to the operational position, while evenly tensioning the integrated spring. Should the power supply to the actuator be interrupted, the stored energy in the spring will immediately move the damper to the safety position. The compact design and universal adapter fitted with limitation of rotation angle make this actuator highly versatile.

#### Features

- ON/OFF control
- Electrical connections with halogen-free cable
- Up to 5 actuators in parallel operation possible
- Simple direct-mount with universal adapter on Ø 10...16 mm shaft or square shaft from 10...14 mm. Minimum damper shaft of 45 mm length.
- Selectable direction of rotation
- Limitation of rotation angle
- 1 adjustable auxiliary switch
- Automatic shut-off at end position (overload switch)
- Energy saving at end positions
- Customized versions available
- Devices meet CE requirements

#### Selection Table

Torque	Running Time (s)		Damper Size (m <sup>2</sup> )	Control Signals	1 x Auxiliary contacts	Supply Voltage (50/60Hz)	Ordering Codes	
	Motor	Spring					Joventa*	Johnson Controls
6 Nm	10...40	35...70	1.1	ON/OFF	---	24 VAC	DAF1.06	M9206-BGA-1S
					●		DAF1.06S	M9206-BGB-1S
	10...65				---	230 VAC	DAF2.06	M9206-BDA-1S
					●		DAF2.06S	M9206-BDB-1S