



techsystem

automatyka klimatyzacja wentylacja

▸ zapoznaj się z naszą ofertą

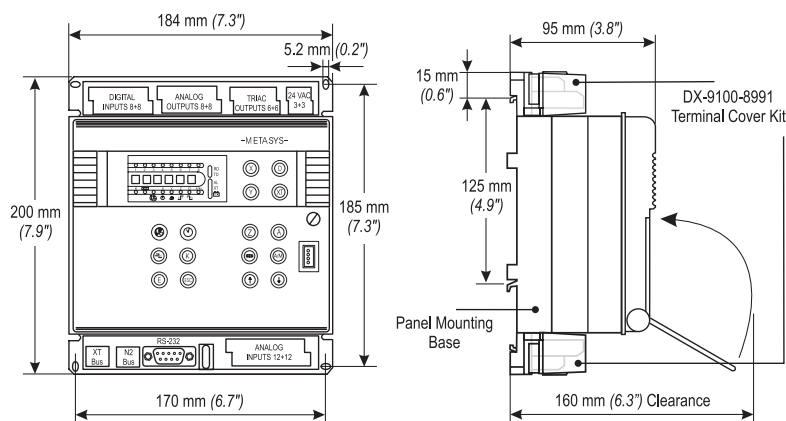
Metasys® Field Controllers LonWORKS® Compatible DX-9200 Digital Controller (1/3)



**DX-9200 Digital Controller
with LED Display
and Keyboard in Cabinet Door
Mounting Frame**



**DX-9200 Digital Controller
- Black Box -
on Panel Mounting Base**



Installation Details of Controller DX-9200-8454 with Panel Mounting Base

Description

The LonWORKS® compatible digital controller, DX-9200 Series, is the ideal digital control solution for air handling unit or distributed lighting and related electrical equipment control applications. The controller has both the hardware and software flexibility to adapt to the variety of control requirements in its targeted applications and can extend its input and output point capability by communicating with input/output (I/O) modules on an extension bus. The controller provides monitoring and control of all connected points at an integral LED display and keyboard or from a separate DT-9100 display unit. The DT-9100 display unit, with a text and graphic LCD screen and keypad, provides a standard and customized presentation of data according to the application and customer requirements. Both the DX-9200 controller and the DT-9100 display unit can be mounted within an electrical enclosure or in a cabinet door, and the DT-9100 display unit can also be mounted directly onto the controller within a panel, on a wall or can be used as a portable device. Additionally, the controller can share data with other LonMARK® compatible devices on the same LonWORKS network. When the LonWORKS network is integrated into a Metasys® system, point and control information is available throughout the network and at all Metasys operator workstations.

Features

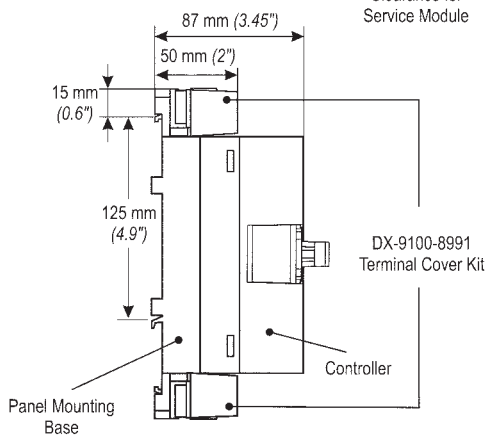
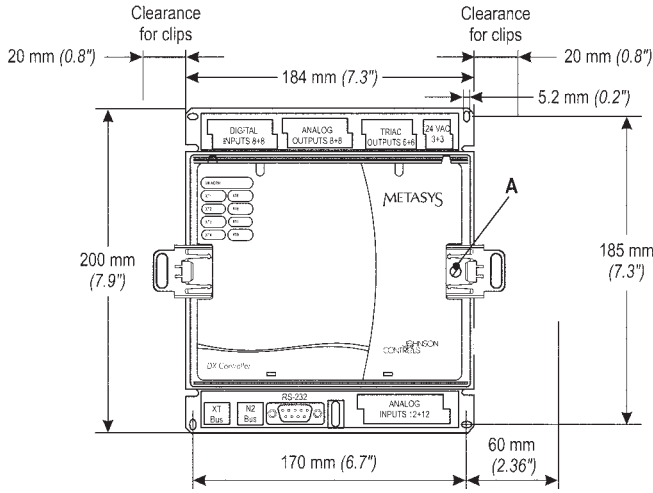
- LonWORKS® compatible network variable interface FTT
- Integration into Metasys system network via NAE
- Dynamic data access capabilities with Metasys system network
- Full set of control algorithms in software modules
- Graphic configuration tool software
- Standalone control of HVAC and other equipment
- Real-time clock and time programs
- Extension bus for additional I/O points
- Extension modules for a variety of analog and digital I/O combinations
- Model with integral display and control panel
- Text and graphic display unit (DT-9100)
- Extension modules with manual override switches

Selection Table

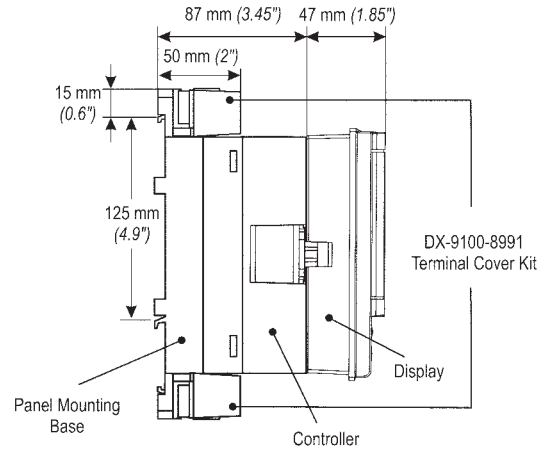
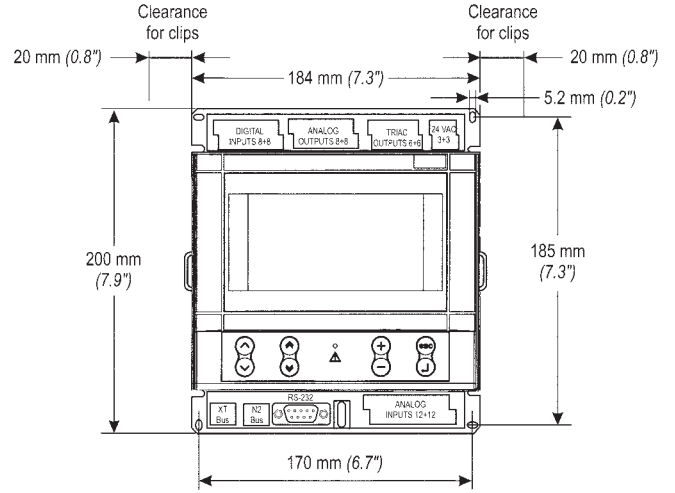
Analog Inputs	Binary Inputs	Analog Outputs	Binary Outputs	Panel with LED Display	Power Supply	Application	Ordering Codes
8	8	8	6	NO (Black Box)	24 VAC ±10%, 50/60Hz	Room and light control	DX-9200-8004-A
8	8	8	6			Air handling control	DX-9200-8004-D
8	8	8	6	YES		Room and light control	DX-9200-8454-A
8	8	8	6			Air handling control	DX-9200-8454-D
Jumper Selectable ■ RTD(1KΩ NI) ■ 0-10 VDC Transmitter ■ 0-20 mA Transmitter (4 max.)	Dry Contacts	Jumper Selectable ■ 0-10 VDC ■ 0-20 mA (4)	24 VAC Triacs at 0.5 amps				

Note: Refer to DX-9200 Technical Bulletin for details of the LonWORKS network interface specifications. LonWORKS® is a Registered Trade Mark of Echelon Corp.

Metasys® Field Controllers LonWORKS® Compatible
DX-9200 Digital Controller (2/3)

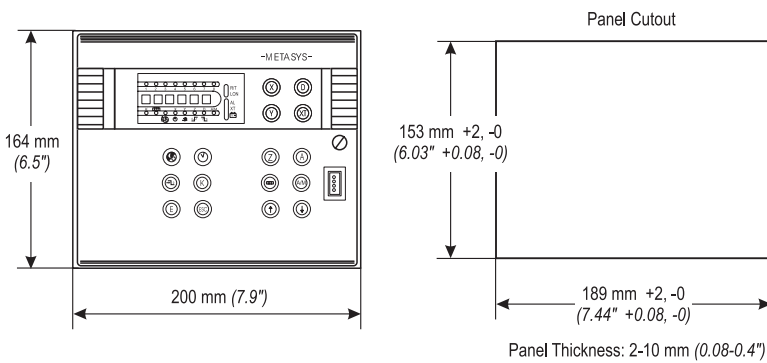


Black Box Controller DX-9200-8004-x
Dimensions in mm (inches)

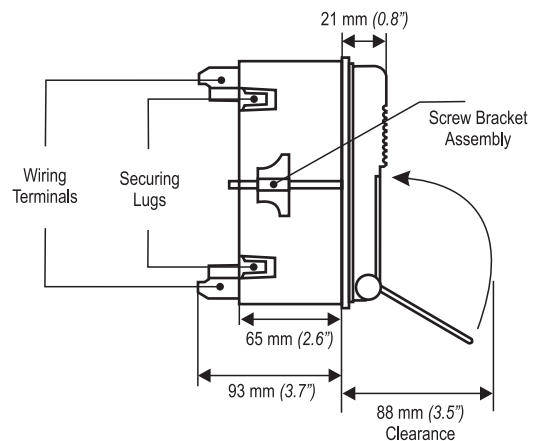


Black Box Controller DX-9200-8004-x
with LCD Display DT-9100-8204
Dimensions in mm (inches)

Installation Details of the DX-9200-8454-x Controller with Cabinet Door Mounting Frame



Front View



Side View

Metasys® Field Controllers LonWORKS® Compatible
 DX-9200 Digital Controller (3/3)

DT-9100 Display Unit

Description		Ordering Codes
Display unit with panel mounting kit for DX-9200-8004-x	24 VAC ±10%, 4VA 50/60Hz or 9 to 12 VDC, 2 VA	DT-9100-8204
Display unit wall mounting kit		DT-9100-8902
12 VDC power supply for 230 VAC source		DT-9100-8901

Software and Accessories - Selection Table

Description	Ordering Codes
Panel Mounting Base with Terminal Covers for DX-9200-8454-x and DX-9200-8004-x	DX-9200-8997
Cabinet Door Mounting Frame for DX-9200-8454-x	DX-9200-8996
Access protection key for DX-9200-8454-x	DC-9100-8905
Lithium Battery	DC-9100-6800

Note: For DX Configuration Tools Software contact your local Johnson Controls office.