



techsystem

automatyka klimatyzacja wentylacja

▸ [zapoznaj się z naszą ofertą](#)

Room Sensors

TM-1100 Room Command Module



TM-1100 Series Room Control Module

Description

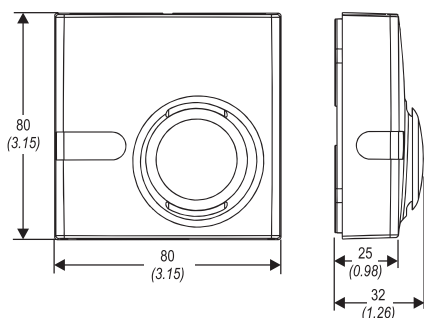
The TM-1100 Series of Room Command Modules are designed for use with the TC-9102, TC-9109 and TCU Series of DDC terminal unit controllers. The setpoint dial enables the room occupant to adjust the working set point of the controller within the range of 12...28 °C or -3...+3°, according to the model number.

The occupancy button enables the occupant to switch the mode of operation of the controller between COMFORT and STANDBY or to request a temporary COMFORT mode during NIGHT operation. An LED indicator shows the current operating mode.

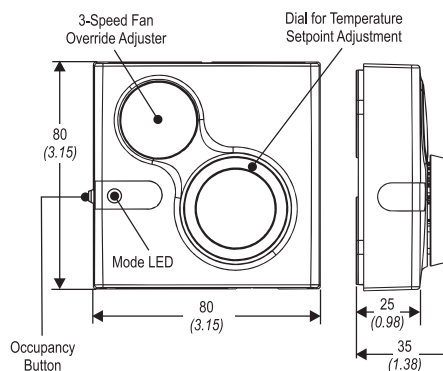
For TC-9102 and TCU Fan Coil Unit controllers, a Room Command Module with a 3-speed fan override is available. Models without a temperature sensing element are provided for application where the temperature sensor is mounted inside the Fan Coil Unit.

Features

- Passive Sensor
- NTC K2 Temperature Output
- Remote Temperature Setpoint adjustment
- 3-speed fan override
- Occupancy override button
- Room enclosures 80 x 80 mm
- IP 30



TM-1140-0000
Dimensions in mm (inches)



TM-1160-0007 and TM-1170-0007
Dimensions in mm (inches)

Selection Table

Built-in Sensing Element	Temperature Setpoint Dial Scale	Fan Speed Override	Occupancy Button	Ordering Codes
NTC K2	---	---	---	TM-1140-0000
	12-28°C			TM-1150-0000
	+/-		TM-1160-0000	
	12-28°C		3-Speed Fan Override	•
Without	+/-	3-Speed Fan Override	---	TM-1160-0007
	+/-	---		TM-1170-0005
	12-28°C	3-Speed Fan Override		TM-1170-0007
NTC K2	12-28°C	---	---	TM-1190-0000
	+/-			TM-1190-0005

Accessories (order separately)

Description	Ordering Codes
Plastic base for surface mount	TM-1100-8931
Unit Mount NTC K2 Temperature Sensor (1.5 m Cable)	TE-9100-8501
Special Tool for opening enclosure	TM-9100-8900