



techsystem

automatyka klimatyzacja wentylacja

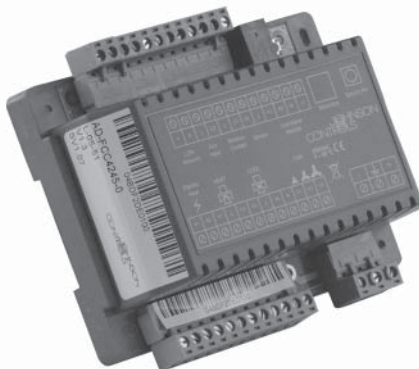
▸ zapoznaj się z naszą ofertą

Metasys® Field Controllers LonWORKS® Compatible

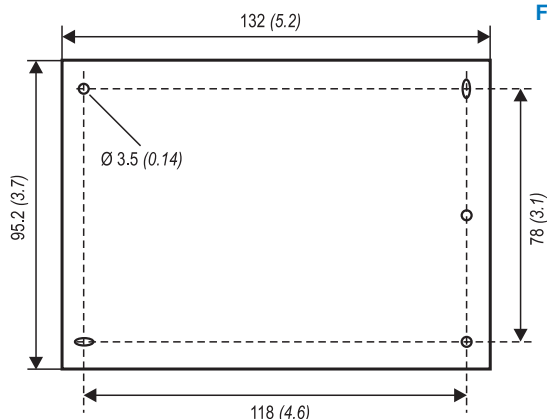
AD-FCC and AD-FCD Fan Coil Control Solution (1/2)



TM-2100 Series Room Module (left) and AD-IRM1005 Integrated Room Module with Display (right)



AD-FCC or AD-FCD Fan Coil Controller Module



Dimensions in mm (inches)

Description

The AD-FCC and AD-FCD Fan Coil Unit Controller are LonWORKS® network compatible devices that provide direct digital control of a fan coil unit with heating and/or cooling coils, an electric heater and a three-speed fan. The controller is designed for field installation or for mounting by original equipment manufacturers (OEMs). The space comfort set point, occupancy mode and fan speed may be adjusted from a room command module. The AD-FCC connects to the TM-21x0 series module and the AD-FCD uses the AD-IRM1005 module with a digital LCD display. A LonWORKS compatible Room Command Module may also be used when the controller is integrated into a LonWORKS network. The controller complies with the LonMARK® interoperability guidelines for sharing data with other network sensors and devices. Operating data can be monitored and controlled from a LonWORKS compatible supervisory system, including the Metasys® NCM Network Control Module and NAE Network Automation Engine that integrate the fan coil unit controller into a facility-wide management network.

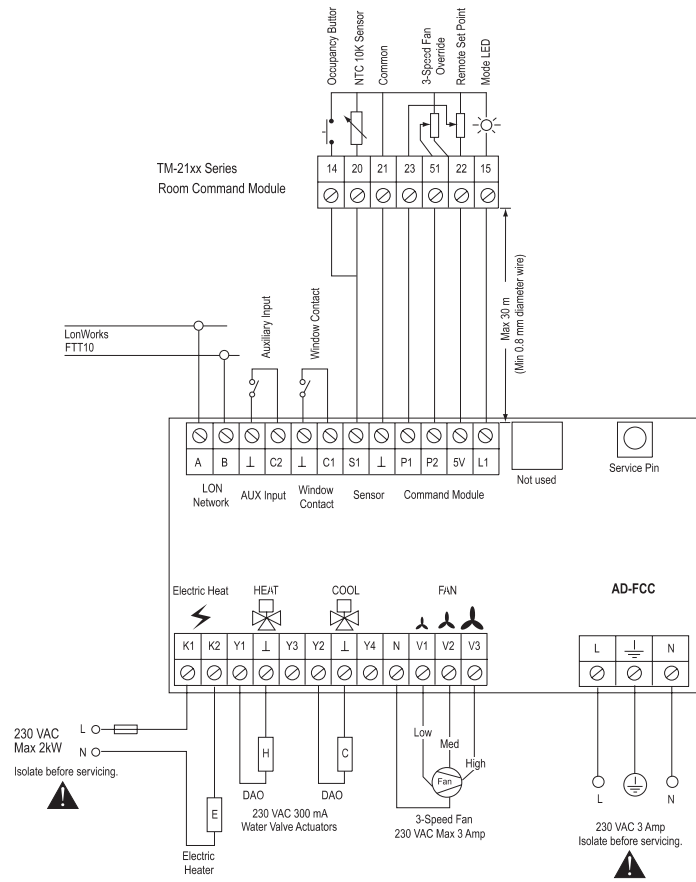
Features

- 230 VAC power
- Relay outputs at 230 VAC 3A for direct fan control
- Triac outputs at 230 VAC for heating and cooling valve control
- Relay output for electric heater control
- Temperature setpoint and fan speed override from attractively styled room command module with option for digital display
- Multiple modes of operation for various occupancy conditions
- Configuration and commissioning using any LonMARK compatible LonWORKS network or commissioning tool
- LonWORKS peer-to-peer communications network
- LonMARK Space Comfort Controller Profile
- LonWORKS network connection to Metasys network controller

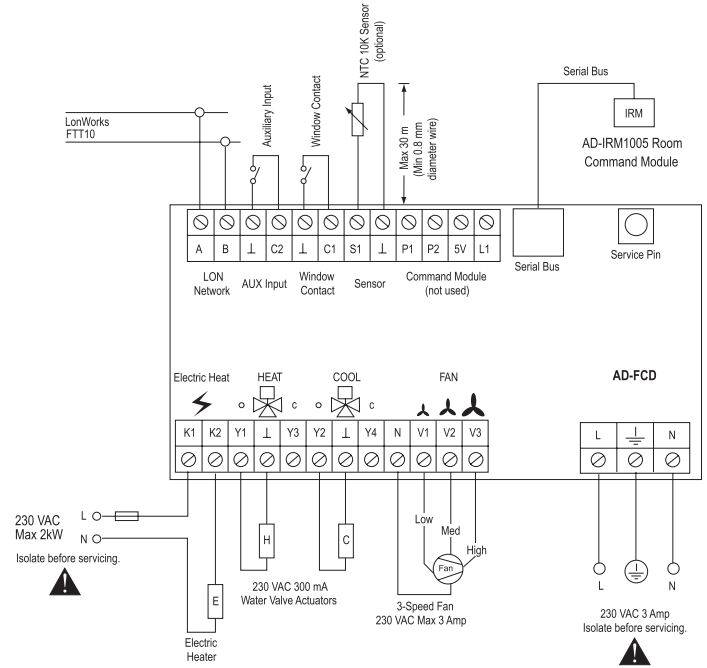
Selection Table

Description	Ordering Codes
Fan Coil Controller Modules	
Fan Coil Controller with LonWORKS® Interface, 230 VAC Power Supply, 2 x Triac Outputs (230 VAC PWM) for Heating/Cooling, Relay Output for Electric Heater, Relay Outputs for 3-speed Fan (3A).	AD-FCC4245-0
Fan Coil Controller with LonWORKS® Interface, 230 VAC Power Supply, 2 x Triac Outputs (230VAC PWM) for Heating/Cooling, Relay Output for Electric Heater (2KW), Relay Outputs for 3-speed Fan (3A) and Serial Bus for AD-IRM1005 Room Module	AD-FCD4245-0
Room Modules with Temperature Sensor (80 mm x 80 mm) for AD-FCC	
Room Module, NTC 10K Sensor	TM-2140-0000
Room Module, NTC 10K Sensor, Occupancy Button	TM-2150-0000
Room Module, NTC 10K Sensor, Setpoint Dial 12 - 28 °C, Occupancy Button	TM-2160-0000
Room Module, NTC 10K Sensor, Setpoint Dial 12 - 28 °C, 3-speed Fan Override, Occupancy Button	TM-2160-0002
Room Module, NTC 10K Sensor, Setpoint Dial +/-, Occupancy Button	TM-2160-0005
Room Module, NTC 10K Sensor, Setpoint Dial +/-, 3-speed Fan Override, Occupancy Button	TM-2160-0007
Room Module, NTC 10K Sensor, Setpoint Dial 12 - 28 °C	TM-2190-0000
Room Module with Temperature Sensor (80 mm x 80 mm) for AD-FCD and Accessories	
Integrated Room Command Module with Serial Bus I/F (to AD-FCD Controller)	AD-IRM1005-0
Serial bus cable RJ9 to RJ9 – Length 30 cm	AD-IRCBL99S-0
Serial bus cable RJ9 to RJ9 – Length 6 m	AD-IRCBL99L-0
Connectors RJ9 - Pack of 50	AD-IRCKJ09-0
Unit Mount NTC 10k Temperature Sensor	TE-9100-8502

Metasys® Field Controllers LonWorks® Compatible AD-FCC and AD-FCD Fan Coil Control Solution (2/2)



AD-FCC Fan Coil Unit Controller Wiring Details



AD-FCD Fan Coil Unit Controller Wiring Details