



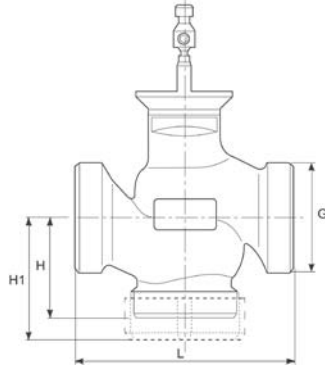
techsystem

automatyka klimatyzacja wentylacja

▸ zapoznaj się z naszą ofertą

Valves

VGS800W1N Series Male Threaded Valves (1/2)



VGS800W1N Series
Male Threaded Valves

Description

The VGS800W1N Series electrically operated Bronze valves are primarily designed to regulate the flow of water in response to the demand of a controller, in heating, ventilating, and air conditioning systems.

This 3-way mixing valve is also easily converted into a 2-way PDTO (normally closed) using the available modkit.

Two models of electric actuator are available as standard: The VA-77xx and VA78xx actuators.

Features

- PN16 cast bronze body
- DN15...50
- Kvs 0.63...40
- 3-way mixing
- 2-way PDTO (normally closed) using 3-way mixing valve with modkit
- Fluid Temperature 2...130 °C

Dimensions in mm

DN	L	H	H1	G
15	80	55	65	1 1/8
20	90	55	65	1 1/4
25	110	55	66	1 1/2
32	120	55	67	2
40	130	60	72	2 1/4
50	150	65	77	2 3/4

Valves

VGS800W1N Series Male Threaded Valves (2/2)

Selection Table

Body Size	Kvs	Nominal Stroke	Close Off Pressure kPa		Ordering Codes*
			VA-77x820x 500 N	VA-78xx-xxx-12 1000 N	
3-Way Mixing					
DN15	0.63	13 mm	958	1600	VGS8A5W1N
	1.0				VGS8A4W1N
	1.6				VGS8A3W1N
	2.5				VGS8A2W1N
	4.0				VGS8A1W1N
DN20	6.3		605	1600	VGS8B1W1N
DN25	10		280	1046	VGS8C1W1N
DN32	16		176	744	VGS8D1W1N
DN40	25		54	369	VGS8E1W1N
DN50	40		---	208	VGS8F1W1N

Ordering of factory mounted valves and electric actuators

The valves and actuators can be ordered separately or factory mounted.
When factory mounted, please add "+M" to the order code for the actuator.

Pipe muffles

Muffles	Ordering Codes
DN15 / Rp ½	121 4935 151
DN20 / Rp ¾	121 4935 201
DN25 / Rp 1	121 4935 251
DN32 / Rp 1 ¼	121 4935 321
DN40 / Rp 1 ½	121 4935 401
DN50 / Rp 2	121 4935 501

Notes: 3 pipe muffels are needed for the mixing valves.

Modkit for transformation of 2-way into 3-way valves

Mod kit for:	Ordering Codes
DN15 / Rp ½	121 4930 151
DN20 / Rp ¾	121 4930 201
DN25 / Rp 1	121 4930 251
DN32 / Rp 1 ¼	121 4930 321
DN40 / Rp 1 ½	121 4930 401
DN50 / Rp 2	121 4930 501

Notes: 2 pipe muffles and 1 modkit are required to alter a 3-way valve into a 2-way valve