



# techsystem

automatyka klimatyzacja wentylacja

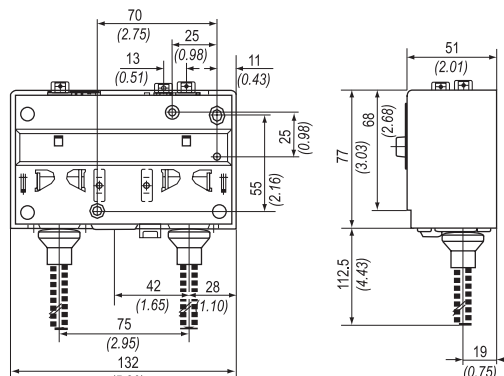
▸ zapoznaj się z naszą ofertą

### Pressure Controls

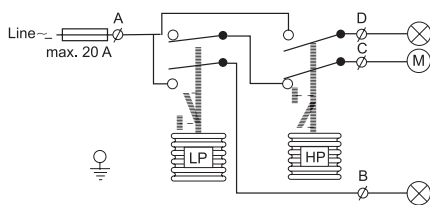
#### P736 Dual Pressure Control for Refrigeration (1/1)



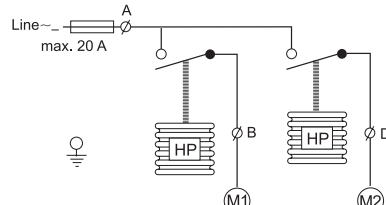
**P736  
Dual Pressure  
Control Switch  
for Refrigeration**



Dimensions in mm (inches)



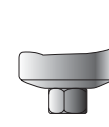
Wiring Diagram



P736ALA  
Wiring Diagram



Style 5



Style 15



Style 28



Style 30

#### Description

The P736 series pressure controls may be used for control functions or limit functions, depending on model number. All models are provided with alarm contacts (except P736ALA). All standard models have phosphor bronze bellows and brass pressure connections. Models for use with ammonia are provided with stainless steel bellows and connectors.

#### Features

- Generous wiring space
- Trip-free manual reset
- Separate alarm contacts for both low pressure and high pressure cut-out (except P736ALA)

#### Application

These dual pressure controls are designed for use in a variety of applications involving refrigeration high or low pressure. Models supplied have a "whole range" design, enabling them to be used all non-corrosive refrigerants which are within the operating range of the control. They may also be used for other high or low pressure applications such as air, water etc. Models which can be used with ammonia are included in the program.

#### P736 Dual Pressure Controls for Non-corrosive Refrigerants - Selection Table

Left Side		Right Side		Construction LP/HP (max. press.)	Family Code	Style 5		Style 30	PED Approvals
Range (bar)	Diff. (bar)	Range (bar)	Diff. (bar)			Ind. Pack.	Bulkpack	Ind. Pack.	
-0.5 to 7	0.5 to 3	3 to 30	3 (fixed)	LP: 22bar HP: 33 bar	P736LCA	-9300	-9320	-9400	---
-0.5 to 7	0.5 to 3	3 to 30	Man. Res.**		P736MCA	-9300	-9320		
-0.5 to 7	Man. Res.*	3 to 30	Auto Reset		P736NGA		***		
-0.5 to 7	Man. Res.*	3 to 30	Man. Res.**		P736PGA	-9300			

#### P736 Dual Pressure Fan Cycling Controls for Air-Cooled Condensers (Non-corrosive Refrigerants) - Selection Table

Left Side		Right Side		Construction HP/HP (max. press.)	Family Code	Style 5		Style 30	PED Approvals
Range (bar)	Diff. (bar)	Range (bar)	Diff. (bar)			Ind. Pack.	Bulkpack	Ind. Pack.	
3.5 to 21	1.8 (fixed)	3.5 to 21	1.8 (fixed)	30 bar	P736ALA	-9351	****		---

#### P736 Dual Pressure Controls for Non-Corrosive Refrigerants - Selection Table

Left Side		Right Side		Construction LP/HP (max. press.)	Family Code	Style 5		Style 28	PED Approvals
Range (bar)	Diff. (bar)	Range (bar)	Diff. (bar)			Ind. Pack.	Bulkpack	Ind. Pack.	
-0.5 to 7	0.6 to 3	3 to 30	3 (fixed)	LP: 22 bar HP: 33 bar	P736LCW	-9300	-9320	-9800	●
-0.5 to 7	0.6 to 3	3 to 30	Man. res.**		P736MCB	-9300	****		
-0.5 to 7	0,6 to 3	3 to 30	Man. res.**		P736MCS	-9300	****		
-0.5 to 7	Man. res.*	3 to 30	Man. res.**		P736PGB	-9300	****		

#### P736 Dual Pressure Manual Reset HP/HP, TÜV-Begrenzer + Sicherheitsbegrenzer - Selection Table

Left Side		Right Side		Construction HP/HP (max. press.)	Family Code	Style 5		Style 30	PED Approvals
Range (bar)	Diff. (bar)	Range (bar)	Diff. (bar)			Ind. Pack.	Bulkpack	Ind. Pack.	
3 to 30	Man. res.**	3 to 30	Man. res.**	30 bar	P736PLM		-9370		●

Notes: \*\*\* Can be set-up for quantity orders  
100 kPa = 1 bar ≈ 14.5 psi

\*\* Resettable at 3 bar below cut-out point

\* Resettable at 0.5 bar above cut-out point