



# techsystem

automatyka klimatyzacja wentylacja

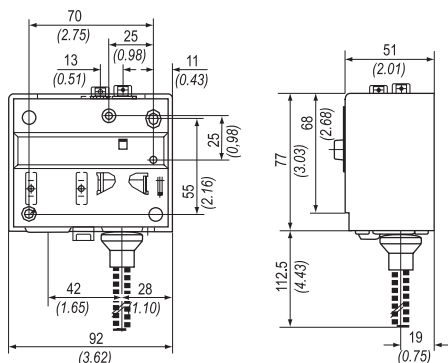
▸ zapoznaj się z naszą ofertą

### Pressure Controls

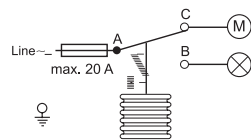
#### P735 Single Pressure Control for Refrigeration (1/1)



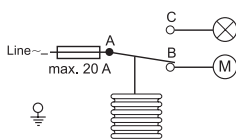
**P735  
Single Pressure  
Switch**



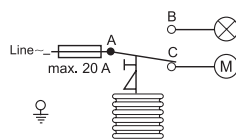
**Dimensions in mm (inches)**



**Wiring Diagram 1**



**Wiring Diagram 2**



**Wiring Diagram 3**



**Style 5**



**Style 15**



**Style 28**



**Style 30**

#### Description

The P735 series pressure controls may be used for control functions or limit functions, depending on model number. All models are provided with alarm contacts. All standard models have phosphor bronze bellows and brass pressure connections. Models for use with ammonia are provided with stainless steel bellows and connectors.

#### Features

- Generous wiring space
- SPDT contacts are provided as standard on single pressure controls
- Trip-free manual reset

#### Application

These pressure controls are designed for use in a variety of applications involving refrigeration high or low pressure. Models supplied have a "whole range" design, enabling them to be used with all non-corrosive refrigerants which are within the operating range of the control. They may also be used for other high or low pressure applications such as air, water etc. Models which can be used with ammonia are included in the program.

#### P735 Pressure Controls for Water - Selection Table

Range (bar)	Differential (bar)	Switch Action (wire diag.)	Max. Bellows Pressure	Family Code	Special Pressure Connection G $\frac{1}{4}$ " female			PED Approval
					Ind. Pack.			
-0,2 to 10	1 to 4,5	1	15	P735AAA	-9200			---
-0,5 to 7	0,5 to 3	1	22		-9201			

#### P735 Pressure Controls for Non-Corrosive Refrigerants (Wachter, Begrenzer, Sicherheitsdruckbegrenzer)- Selection Table

Range (bar)	Differential (bar)	Switch Action (wire diag.)	Max. Bellows Pressure	Family Code	Style 5		Style 30	PED Approval
					Ind. Pack.	Bulkpack	Ind. Pack.	
-0.5 to 7	0.5 to 3	1	22	P735AAA	-9300	-9320	-9400	---
-0.2 to 10	1 to 4.5	1	15		-9301			
3 to 30	3 to 12	2	33		-9350	-9370		
3.5 to 21	2.1 to 5.5	2	30		-9351			
-0.5 to 7	Man. res.**	1	22	P735BCA	-9300			---
3 to 30	Man. res.*	3	33	P735BEA	-9350	-9370		

#### P735 Pressure Controls for Non-Corrosive Refrigerants - Selection Table

Range (bar)	Differential (bar)	Switch Action (wire diag.)	Max. Bellows Pressure	Family Code	Style 5		Style 28	PED Approval
					Ind. Pack.	Bulkpack	Ind. Pack.	
-0.5 to 7	0.6 to 3	1	20	P735AAW	-9300	-9320		---
3 to 30	3,5 to 12	2	33		-9350	-9370	-9850	
-0,5 to 7	Man. res.**	1	20	P735BCB	-9300			---
3 to 30	Man. res.*	3	33	P735BEB	-9350	-9370	-9850	

**Notes:** \*\* Resetable at 0.5 bar above cut-out point  
100 kPa = 1 bar ≈ 14.5 psi

\* Resetable at 3 bar below cut-out point