



# techsystem

automatyka klimatyzacja wentylacja

▸ zapoznaj się z naszą ofertą

## Series A36

### 3- and 4 Stage Thermostats for Refrigeration, Cooling, Heating, Ventilation and Air-conditioning

## **I**ntrouction

*Designed for multi-stage thermostatic operation of electrically controlled equipment such as:*

- packaged liquid chillers
- heat pumps
- electric duct heaters
- computer room airconditioners

## **D**escription

Models are available in 'open' construction for panel mounting. Single knob adjustment moves the entire staging band up and down within the range of the control. The differential on each stage and sequencing between stages are factory set.

This permits the OEM to completely engineer the cycling of their equipment without the hazard of field mis-adjustments and erratic sequencing.



**A36 Three and Four Stage Thermostat**

## **N**ote

These controls are designed for use only as operating controls. Where an operating control failure would result in personal injury or loss of property it is the responsibility of the installer to add devices or systems that protect against, or warn of, control failure.

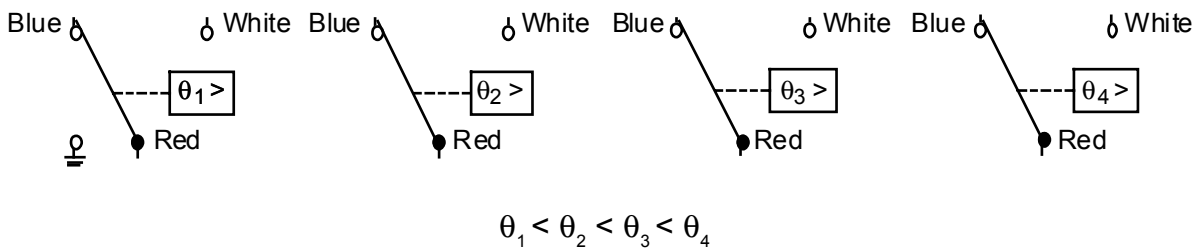
<b>Feature and Benefits</b>	
<input type="checkbox"/> <b>Dust-tight SPDT switches</b>	Prevents pollution of the contacts by electrostatic influences
<input type="checkbox"/> <b>Cushion mounted</b>	Prevents vibrations and chattering contacts
<input type="checkbox"/> <b>Operation from a single, liquid filled element</b>	Easy mounting
<input type="checkbox"/> <b>Case compensation standard on all models</b>	Assures uniform performance at different ambient conditions

## Repair and Replacement

Repair is not possible. In case of an improperly functioning control, please check with your nearest supplier. When contacting the supplier for a replacement you should state the

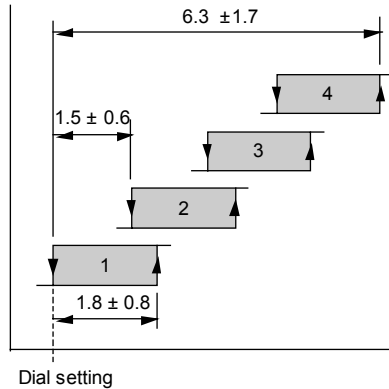
type/model number of the control. This number can be found on the data plate or cover label.

## Contact functions

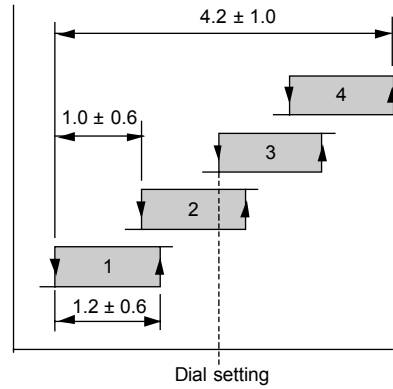


**Fig. 1**  
Red - white closes on temperature increase.

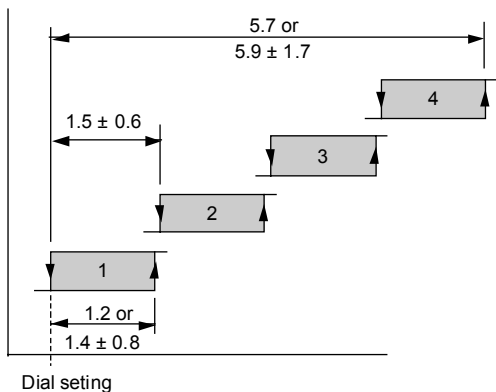
## Adjustment codes and tolerances



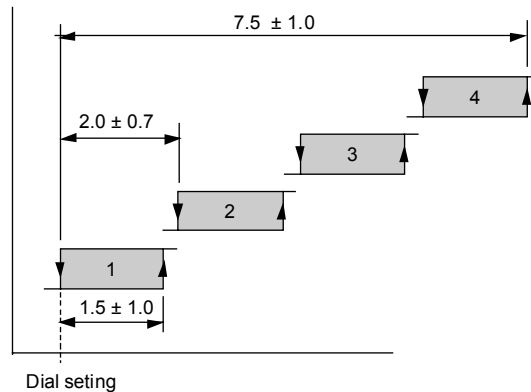
**B1 Chiller/refrigeration standard differential**



**B2 Range close differential**



**C1 Air-conditioning/heating standard differential**



**D2 Range wide differential**

## *T*ype number selection table:

Range °C	Diff. each stage	Between stage diff.	Adj. code	Bulb 9.5 mm Ø x length (mm)	Cap. length (m)	Special features	Electrical rating Amp. ~230V	Order number
----------	------------------	---------------------	-----------	-----------------------------	-----------------	------------------	------------------------------	--------------

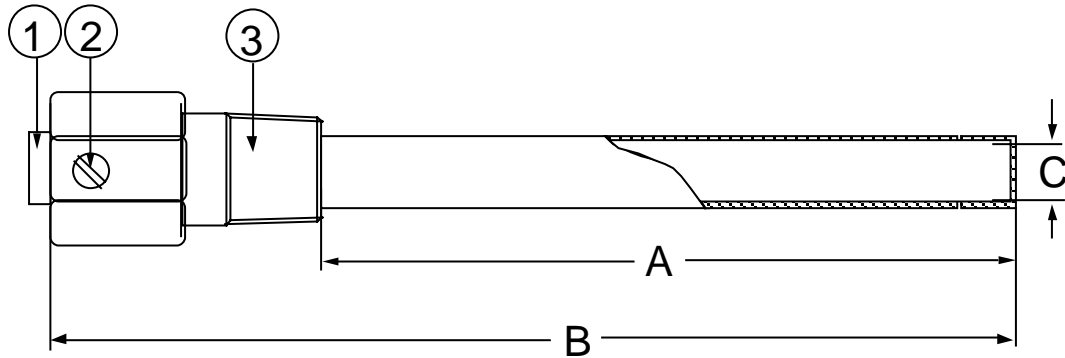
### 3 stage models

-18 to +20	1.8	1.5	B1	125	5.0	PVC armoured	15(5)	<b>A36AGA-9101</b>
-18 to +20	1.8	1.5	B1	125	3.5	PVC armoured	15(5)	<b>A36AGA-9102</b>
-18 to +20	1.2	1.5	B2	125	3.5	PVC armoured	15(3)	<b>A36AGB-9103</b>
15 to 35	1.2	1.0	C1	140	3.5	PVC armoured	15(5)	<b>A36AGA-9103</b>

### 4 stage models

-18 to +20	1.8	1.5	B1	125	3.5	PVC armoured	15(5)	<b>A36AHA-9105</b>
-16 to +20	1.8	1.5	B1	125	5.0	PVC armoured	15(5)	<b>A36AHA-9107</b>
15 to 35	1.2	1.0	C1	140	3.5	PVC armoured	15(5)	<b>A36AHA-9108</b>
10 to 95	1.5	2.0	D2	100	3.0		15(3)	<b>A36AHB-9103</b>
-18 to +20	1.2	1.5	B2	125	3.5	PVC armoured	15(3)	<b>A36AHB-9104</b>
-18 to +20	1.2	1.5	B2	125	5.0	PVC armoured	15(3)	<b>A36AHB-9105</b>
-15 to +30	1.4	1.5	B2	110	5.0		15(3)	<b>A36AHB-9109</b>

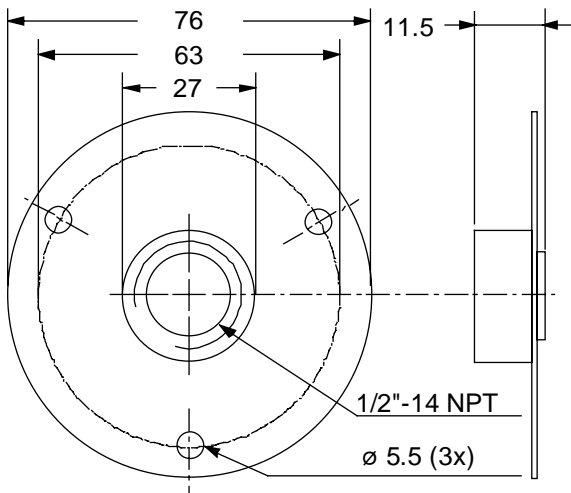
## Accessories (optional)



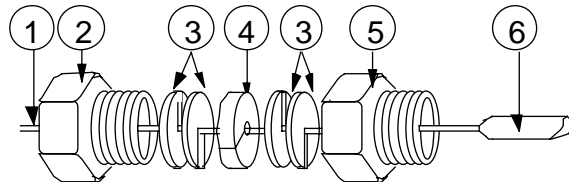
Order no.	Dimension (A)	Dimension (B)	Dimension (C) Internal
WEL14A602R	125 mm	171 mm	9.8 mm
WEL14A603R	147 mm	193 mm	9.8 mm

**Fig. 3**  
Bulb well (brass, copper tube)

- C. Bushing
- D. Set screw
- E. Adapter, 1/2"-14 NPT



**Fig. 4**  
Duct flange to be used with closed-tank  
connector FTG13A-600R.  
order number T-752-1001



**Fig. 5**  
Closed-tank connector  
order number FTG13A-600R

- 1. Style 1b bulb support tube
- 2. Packing nut
- 3. Washer
- 4. Packing
- 5. Adapter, 1/2"-14 NPT
- 6. Bulb

## Element styles

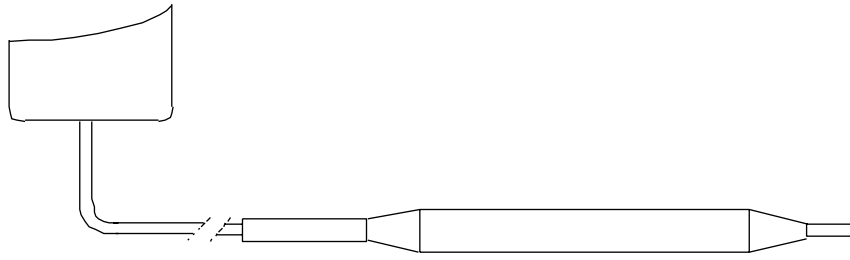
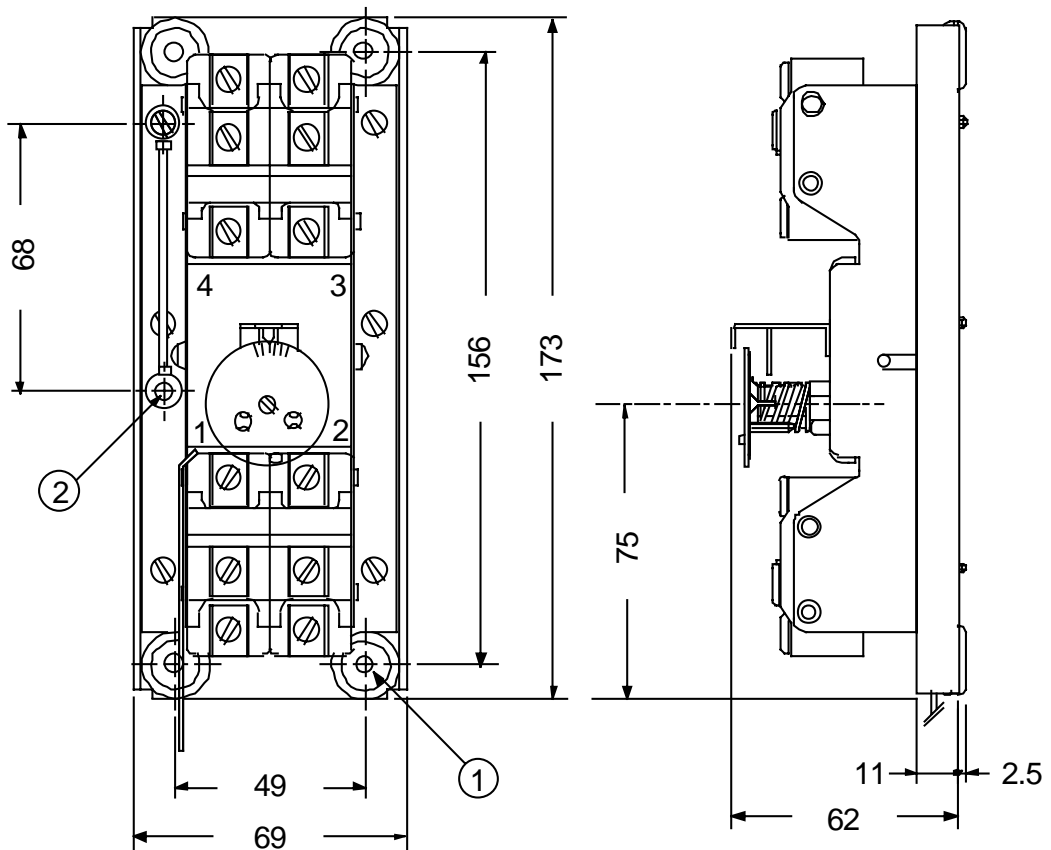


Fig. 6  
Style 1b

Can be used with closed tank connector FTG13A-600RR

## Dimensions (mm)



1. 4 Mounting grommets  $\varnothing$  4.5 mm
2. Earth wire

Fig. 7

# Notes

---

# Notes

## Specifications

<b>CE Conformity</b>	According to low voltage directive and EMC directive	
<b>Element style</b>	Liquid filled, copper bulb Ø 9.5 mm and capillary tube	
<b>Operating ranges and differentials</b>	See corresponding type number selection table.	
<b>Adjustment</b>	Calibrated dial and pointer	
<b>Max. bulb temperature after installation</b>	50 °C	
	115 °C for A36AHB-9103	
	75 °C for A36AHB-9109	
<b>Max. temperature</b>	+55 °C	
<b>Shipping weights</b>	<b>Individual pack</b>	1 kg
	<b>Over pack</b>	14 kg (14 pcs)
<b>Contact functions</b>	SPDT, snap-acting, enclosed and dust-tight switches	

*The performance specifications are nominal and conform to acceptable industry standards. For applications at conditions beyond these specifications, consult the local Johnson Controls office or representative. Johnson Controls shall not be liable for damages resulting from misapplication or misuse of its products.*



### Johnson Controls International, Inc.

Headquarters: Milwaukee, WI, USA  
 European Customer Service Center: Westendhof 3, D-45143 Essen, Germany  
 European Factories: Lomagna (Italy), Leeuwarden (The Netherlands) and Essen (Germany)  
 Branch Offices: Principal European Cities.

This document is subject to change

Printed in Europe